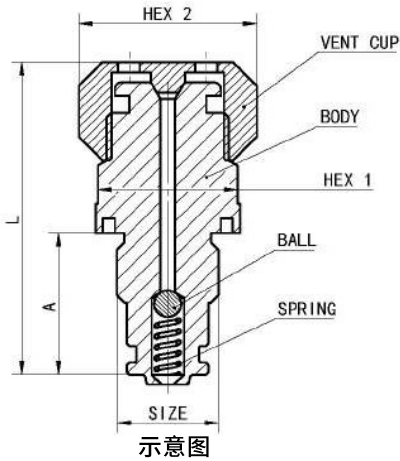


INJECTION FITTINGS

防尘式多密封注脂阀

Grease Fittina Vent Cup with O-Ring and Graphoil



注料配件/Injection Fittings

制作

- 可选防尘罩
- 可增橡胶, 金属, 石墨填料密封
- 弹簧可选材质: Inconel625, 718, 750
- 钢球可选材质: 316L, Monel, Inconel625
- 根据客户需求定制

Production

- With or without vent cup
- With or without o-ring
- Short or long pattern
- According to customer drawing
- Ball STD in stainless steel 316 or on request in monel, inconel 625
- Spring STD in stainless steel 316 or on request in inconel 718, 625 and 750

可选材质

- 碳碳钢A105或LF2
- 不锈钢316(L), 304(L)
- 双相F51和超级双相F53, F55
- 其他特殊合金

Available materials:

- Carbon Steel A105 or LF2
- Stainless Steel grade 316(L), 304(L)
- Duplex F51 and superduplex F53, F55
- Other special alloys

CODE	SIZE	L	A	Hex1	Hex2
VFIF07G038	3/8"GAS	67	30	25.4	32
VFIF07G012	1/2"GAS	67	30	25.4	32